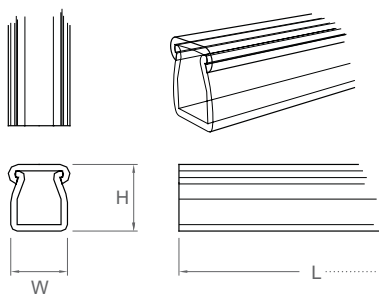


UT ①



Track for side emitting cable

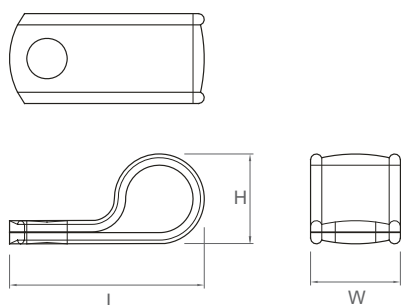
Material Clear PVC

OPTION (Ordering Code : UT)

Order Code	Dimension	Application Cable
UT 607	W 11.7 × H 11.7 × L 1,000	FLC-075-50
UT 811	W 15 × H 15 × L 1,000	FLC-075-50, 75
UT 1113	W 16 × H 16 × L 1,000	FLC-075-75, 100

* Origin : Taiwan, for domestic market

HI ①



Clip for side emitting cable

Material Clear PVC

OPTION (Ordering Code : HI)

Order Code	Dimension	Application Cable
HI-102	W 12 × H 10 × L 21	FLC-075-50
HI-103	W 12 × H 12 × L 25	FLC-075-50, 75
HI-104	W 12 × H 16 × L 30	FLC-075-75, 100

* Origin : USA, for domestic market